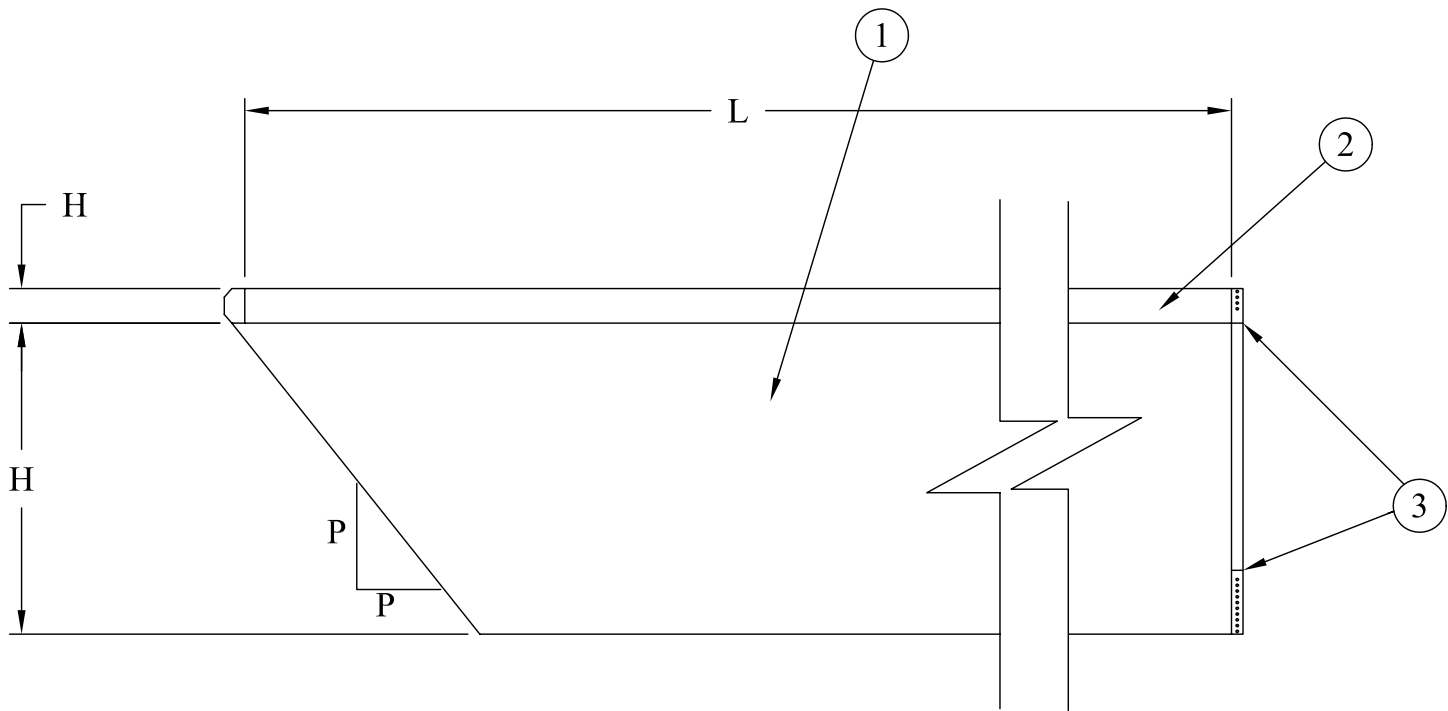


**BILL OF MATERIAL**

NOTE	ITEM	DESCRIPTION
	1	BAFFLE
	2	UNICELLULAR FLOAT
	3	SS PLATES



8/4/2004 8:58:45 AM

<b>THERMAFAB</b> <small>A DIVISION OF</small> ENVIRONMENTAL FABRICS INC. 85 PASCON CT. GASTON, SC 29053 (803)794-2543 FAX:(803)551-5701 www.environmentalfabrics.com		
JOB NAME: <b>XXX</b>		
DWG TITLE: <b>CURTAIN DETAIL</b>		
DATE: 06-05-03	SCALE: NTS	DWG #: 6
DRAWN BY: DEB	APPROVED: XXX	REVISION: XXX